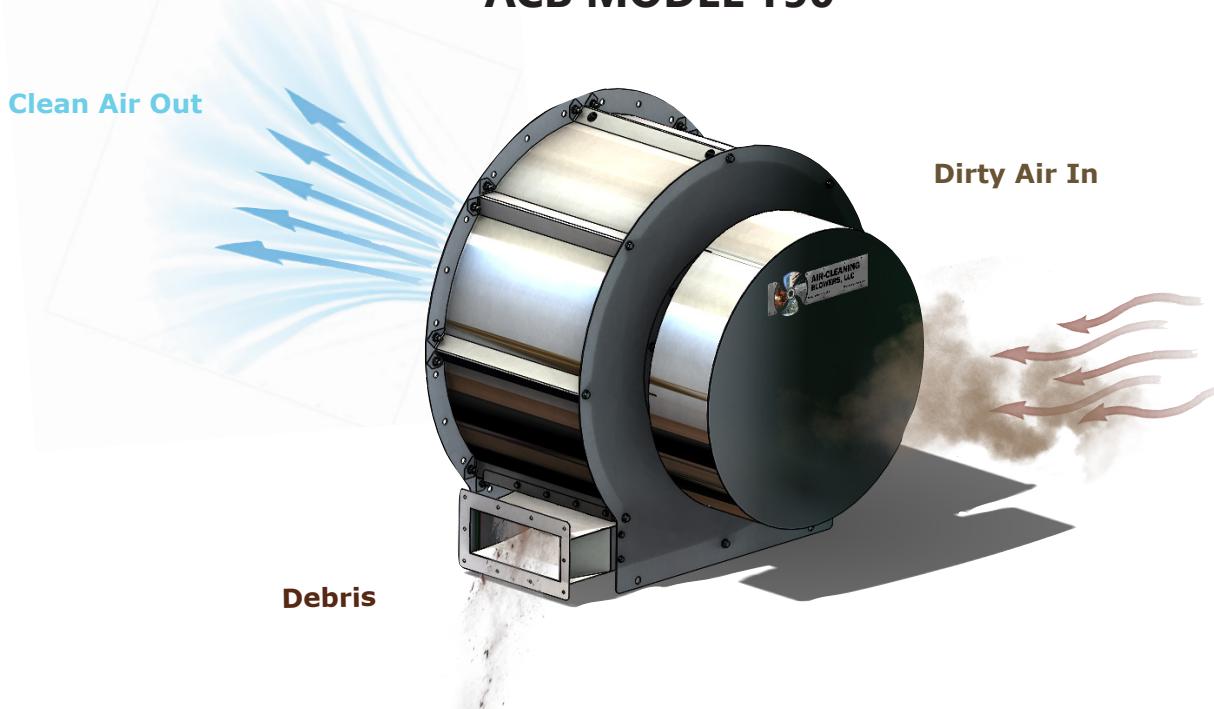


**AIR-CLEANING  
BLOWERS**

# AIR CLEANING BLOWERS™

SELF CLEANING- NO FILTER ELEMENTS TO MAINTAIN

## ACB MODEL T50



**AIR FLOW: 4500-6000 CFM**

### UNIT TECHNICAL SPECIFICATIONS

**Standard Electrical Options:**

(Other Configurations\* Available Upon Request)

- 460 Volts / 60 Hz / 3 Phase

\*Units can run on 50 Hz as well, albeit at lower RPM and CFM Output

**Amperage of Components:**

(60 Hz Data)

- 460/3/60 - FLA - 12.0A, MCA = 15.0A, MOP = 20.0A

Most units can run on 50Hz current, without adaptation, but with reduced capacity and RPM. Additional models available to operate on special voltages.

Standard models are 18 gauge steel cabinets and a 12 gauge mounting plate.  
Metal material options: Aluminum, 304 Stainless Steel or 316 Stainless Steel.

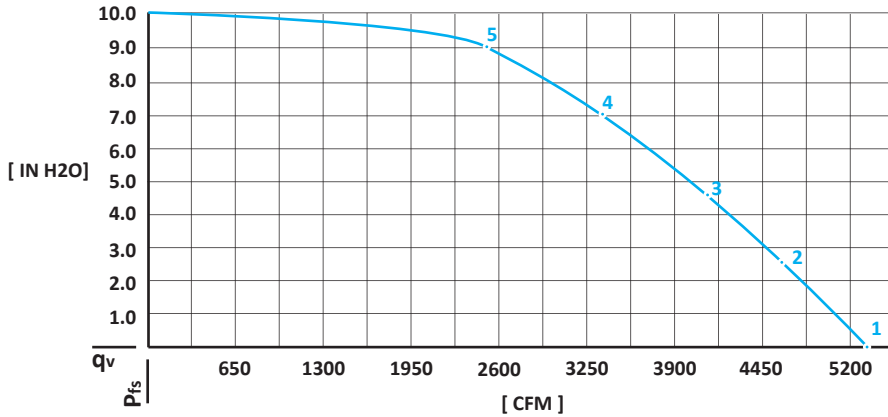
Rain hoods and downspouts are removable to facilitate installation, but necessary for safe functioning of the standard units, unless they are installed in duct work.

Units meet IP54 or higher standard. They can meet NEMA 4X standard if made of type 304 or type 316 stainless steel and appropriate material for impeller.

### APPLICATIONS

Manufacturing	Medical	Data Center / Clean Rooms	Mining / Oil / Tunneling	Office / Corporate
Food Processing	Military / Government	Agriculture	Transportation	School / Institution

## AIRFLOW PERFORMANCE



\* All values labeled in the graph and table are estimates.

Point	Power Supply V	Frequency Hz	Airflow CFM	Pressure IN H2O
1	460	60	5300	0.00
2	460	60	4750	2.50
3	460	60	4200	4.50
4	460	60	3400	7.00
5	460	60	2500	9.00

## OPTIONS

Heating Elements

1.5 to 20 kW of electrical-resistance heat using corrosion-resistant tubular incoloy elements (not light-weight wires).

Collecting Particles

In the case that the material being removed from the air or other gas has value, various adaptations can channel the material to a collection point. For some models, ACB can offer optional, reusable particle-collection bags.

Housing for Downstream Specialty Filter Media

Activated carbon and other chemical-removing bulk media or filter elements to remove finer particles than the ACB removes.

Thermostat

To control the airflow or to warn user of high or low temperatures.

Adaptation for Installation On/In Vertical and other Air Conditioners

Provide changes of air and/or pressurization and purging to enclosures served by the Air Cleaning Blowers™.

Hazardous-Area Controls

To provide NFPA Type X, Y, or Z purging and pressurization.

Adaptation for Hazardous (Explosive) Ambients

NEC Class I Groups A, B, C, or D, Class II Groups F or G, or Class III Division/Zone 2 or Class I Groups C or D, Class II Groups E, F, or G, or Class III, Division/Zone 1 or 2 and their ATEX and IECEx equivalents.



**Air Cleaning Blowers™, LLC**  
[www.AirCleaningBlowers.com](http://www.AirCleaningBlowers.com)  
 +1 (518) 635-4169

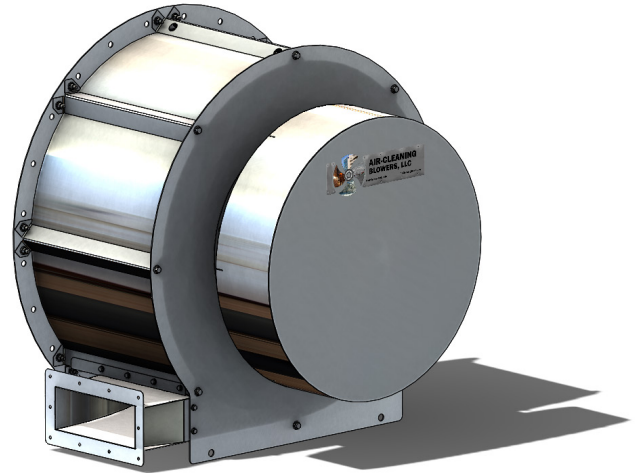
1521 U.S Route 9W  
 Building 4C/D  
 Selkirk, NY 12158

## INSTALLATION

The units normally bolt to the wall. They require no additional support, unless the wall cannot support the weight indefinitely. When these ACBs are installed on a wall, the passage through the wall can be lined with a duct, if desired. Most units come with a cord for connection to a junction box.

The ACBs can also be installed through the wall

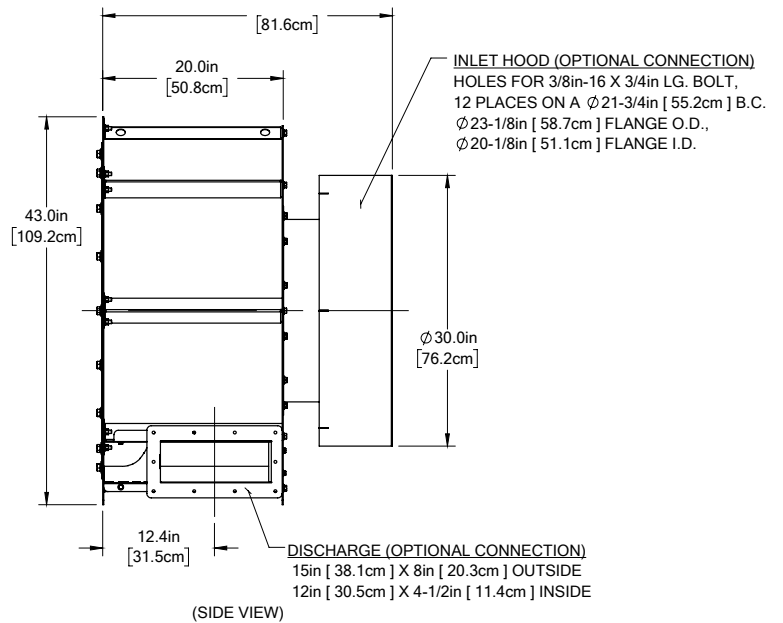
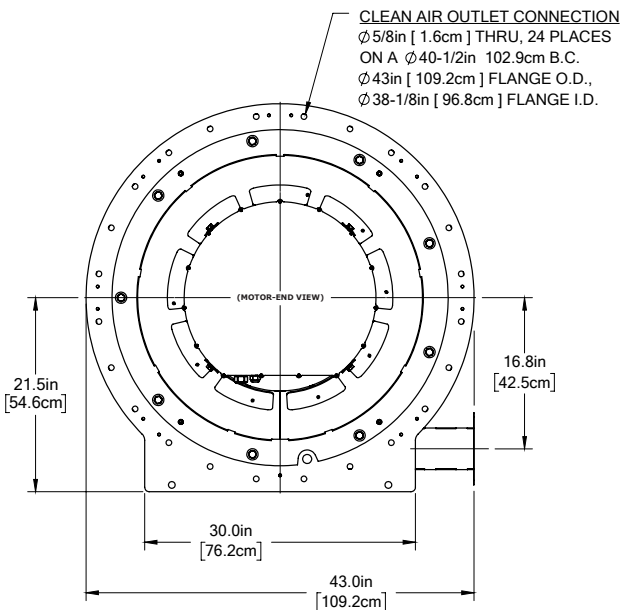
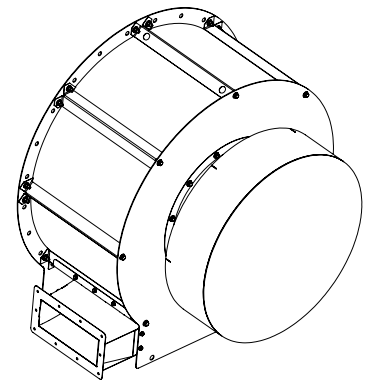
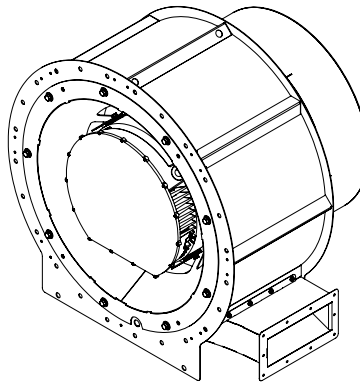
The units can come with two lifting eyes on the top that can be removed easily if necessary.



## DIMENSIONS

All dimensions are in inches (IN).

Weight of unit: 390lbs



**Air Cleaning Blowers™, LLC**  
[www.AirCleaningBlowers.com](http://www.AirCleaningBlowers.com)  
 +1 (518) 635-4169

1521 U.S Route 9W  
 Building 4C/D  
 Selkirk, NY 12158



# AIR CLEANING BLOWERS™

SELF CLEANING- NO FILTER ELEMENTS TO MAINTAIN

## Build Your Own Model (Number):

In order to properly specify your ACB, you must make selections in each of the categories: electrical, heat, cabinet material, impeller material, exterior finish, and hazardous location. The only category that is completely optional is "additional options" and it can be omitted if you do not have any special needs.

The electrical codes available for your ACB specification are: A, B, C, E, F, G, H and X. Select your electrical configuration using one of the codes listed below ( ). Next select a code for your desired heat option ( ).

The unit is made up 18 gauge material, with the choice of code(s): A, 4, 6, T ( ) and with your choice of finish ( ). The impeller material is ( ). Note the impeller material most common for this model is code(s): A.

Next select the desired hazardous (explosive) - location rating if applicable ( ). This will complete the mandatory fields necessary to order or specify your Air Cleaning Blower™.

You can browse through the additional options / special conditions / custom modifications and select and add a code based on your additional needs, if any.

## Choose your model by filling out the blanks with the appropriate code from the list below!

<b>T</b>							
<b>AIRFLOW</b>	<b>ELECTRICAL</b>	<b>HEAT</b>	<b>CABINET</b>	<b>IMPELLER</b>	<b>EXTERIOR FINISH</b>	<b>HAZARDOUS LOCATION</b>	<b>ADDITIONAL OPTIONS</b>

### AIRFLOW (NOMINAL)

0	0-50 CFM
1	50-125 CFM
2	125-175 CFM
3	175-275 CFM
4	275-400 CFM
5	400-500 CFM
7	500-700 CFM
8	700-850 CFM
10	850-1400 CFM
20	1400-2500 CFM
35	2500-4500 CFM
50	4500-6000 CFM
75	6000-8000 CFM
100	8500-12000 CFM
150	12000-17000 CFM
#	# x 1000 = CFM

### HEAT

CODE	HEAT / KW
N	NO HEAT
1	1 kW
2	2 kW
3	3 kW
4	4 kW
5	5 kW
6	6 kW
7	7 kW
8	8 kW

### CABINET & IMPELLER

CODE	MATERIAL
F	FIBERGLASS
R	FIBERGLASS REINFORCED
A	PLASTIC
4	ALUMINUM
6	STAINLESS STEEL 304
P	STAINLESS STEEL 316
D	POLYPROPYLENE
L	LDPE
Y	ALS

### EXTERIOR FINISH

CODE	EXTERIOR FINISH
4	#4 SATIN METAL FINISH
P	POWDER COATED PAINT
A	ANODIZED
M	MILL FINISH
N	NICKLE PLATING
G	GALVANIZED STEEL
B	BLACK OXIDE
V	PASSIVATION COATING
Y	SPRAY PAINT

### ELECTRICAL

CODE	AC 60HZ	AC 50 HZ
A	115V / 1 PH	
B	220-240V / 1 PH	220-240 V / 1 PH
C		220 V / 1 PH
E	277V / 1 PH	220-240 V / 1 PH
F		180-260 V / 1 PH
G	208-230V / 3 PH	200-240 V / 3 PH
H	200-220V / 3 PH	200-220 V / 3 PH
J	415V / 3 PH	415 V / 3 PH
K	575V / 3 PH	
L	208-230V / 1 PH	220 V / 1 PH
M	460V / 3 PH	380-420 V / 3 PH
N	460V / 3 PH	
P		380-420 V / 3 PH
Q	208-230 460V 3PH	208-230 460V / 3PH
R	380 V / 3 PH	
X	208-230 380-460V 3PH	380-420V / 3 PH
Y	115 V / 1 PH / 400 HZ	
Z	115 V / 3 PH / 400 HZ	
S	SHAFT - MOUNTED	
D(#)	DIRECT CURRENT (VOLTAGE)	

### ADDITIONAL OPTIONS

CODE	ADDITIONAL OPTIONS / SPECIAL CONDITIONS
-AB-	AIR CURTAIN ATTACHMENT
-AC-	COOLING ELEMENT INCLUDED
-B-	BASE
-CS-	CEILING SUSPENDED
-EC-	ELECTRONICALLY SUSPENDED
-F-	FLEXIBLE DUCT FOR CLEAN AIR DISCHARGE
-FD-	FLANGE ON DEBRIS DISCHARGE FOR DUCT OR BAG
-FF-	FLANGE ON CLEAN AIR DISCHARGE FOR DUCT
-H-	HUMIDISTAT INCLUDE
-NE-	NO ELECTRONICS
-PX-	PRESSURIZATION TYPE (X, Y, or Z)
-PF-	MOUNTING FOR POST FILTER
-Q-	SUPPLEMENTAL SOUND DAMPENING
-RM-	ROOF MOUNTING KIT
-SM-	STAND MOUNTED
-T-	THERMOSTAT
-UV-	UV LIGHT MODULE

### HAZARDOUS LOCATION

CODE	HAZARDOUS LOCATION
N	NONE
H	HARSH DUTY
E	EXPLOSION

### GROUP(S):

[A] Acetylene	[E] Metal Dust
[B] Hydrogen	[F] Carbon-based
[C] Ethylene	[G] Nonconductive Dust
[D] Propane	

<b>CLASS</b>	I	OR	II	OR	III
<b>DIVISION</b>			1	OR	2

DISTRIBUTED BY:

Designed and manufactured in the U.S.A. under one or more of the following Patents #9,259,675 #10,118,115, with other patents pending.

33T00-250228-1346 ACB T50 (Pending)

Air Cleaning Blowers, LLC

1521 US HWY 9W BLDG 4 C/D,  
Selkirk, NY 12158, USA

www.AirCleaningBlowers.com

+1 (518) 635-4169